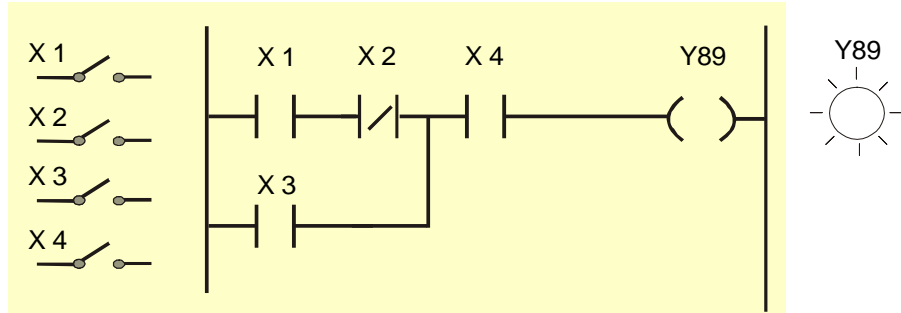
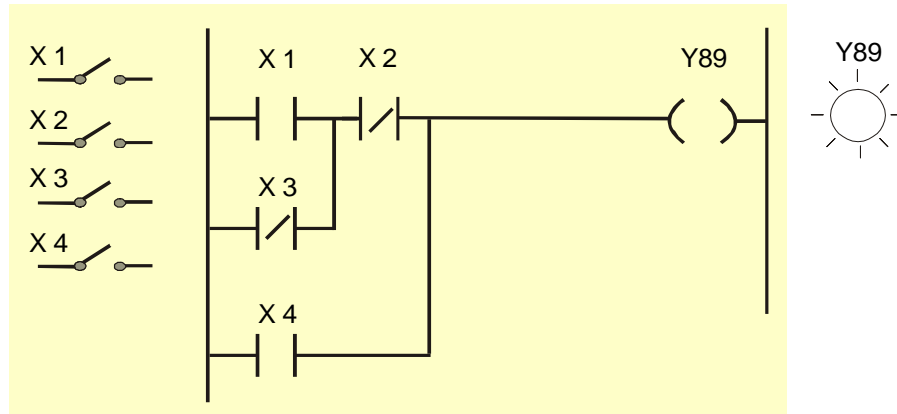


**EJERCICIO 1.**



X 1		X 2		X 3		X 4		Y 89	
CAMPO	PLC	CAMPO	PLC	CAMPO	PLC	CAMPO	PLC	PLC	CAMPO
0		0		0		0			
0		0		0		1			
0		0		1		0			
0		0		1		1			
0		1		0		0			
0		1		0		1			
0		1		1		0			
0		1		1		1			
1		0		0		0			
1		0		0		1			
1		0		1		0			
1		0		1		1			
1		1		0		0			
1		1		0		1			
1		1		1		0			
1		1		1		1			

## EJERCICIO 2



X 1		X 2		X 3		X 4		Y 89	
CAMPO	PLC	CAMPO	PLC	CAMPO	PLC	CAMPO	PLC	PLC	CAMPO
0		0		0		0			
0		0		0		1			
0		0		1		0			
0		0		1		1			
0		1		0		0			
0		1		0		1			
0		1		1		0			
0		1		1		1			
1		0		0		0			
1		0		0		1			
1		0		1		0			
1		0		1		1			
1		1		0		0			
1		1		0		1			
1		1		1		0			
1		1		1		1			